

## Technical Catalogue



### Description and Applications

C80 cable type toroidal current transformers are designed for protection purposes for medium voltage applications. With appropriate isolated cables or busbars, they can be used at all voltage levels.

### Features

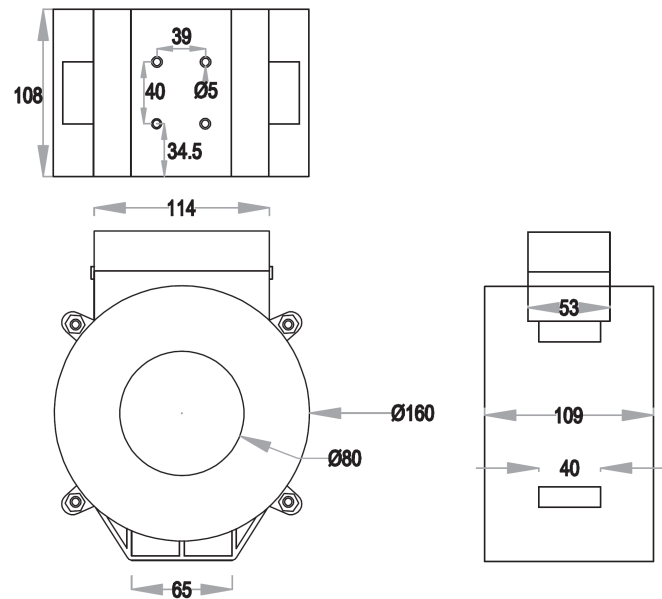
- 50A-300A primary current range
- Single secondary, double secondary, compound wound options.
- consistent with TS EN 61869-1, TS EN 61869-2
- Maintenance Free

### Structure and Operating Principles

Current transformers, transfer the current flowing from main circuit (primary) to secondary circuit by magnetic coupling reducing with a determined ratio.

The C80 current transformer is build up from an isolated secondary winding, wounded on a toroidal magnetic core. Primary current is the cable or busbar current flowing from the middle of the toroid.

The C80 current transformer can be manufactured in four different types according to secondary requirements:



### Technical Specifications

Nominal Primary Current	50...600A
Secondary Current	5A
Operating Frequency	50-60Hz
Nominal Power	2.5VA, 5VA
Accuracy Class	10
Transformer Core Type	P (Protection)
Isolation Level	0.72 / 3 kV
Nominal Overcurrent Factor	10
Short Circuit Current (I <sub>th</sub> )	25kA/s
Dynamic Strength Nominal Current (I <sub>dyn</sub> )	2.5xI <sub>th</sub>
Rated Short Time Thermal current (I <sub>th</sub> )	>100xI <sub>n</sub>
Dimensions	Diameter:160 , Inner Diameter:80

### Safety Instructions and Installation

For the safety of staff working in field and the devices connected to current transformer, one of the secondary terminals must be grounded.

Before the primary connection, the secondary terminals should be connected to device. If the secondary connections will not be used, the windings should be short circuited and grounded for safety.

For the types of compound wound transformers, the unused terminal should be leaved unconnected.

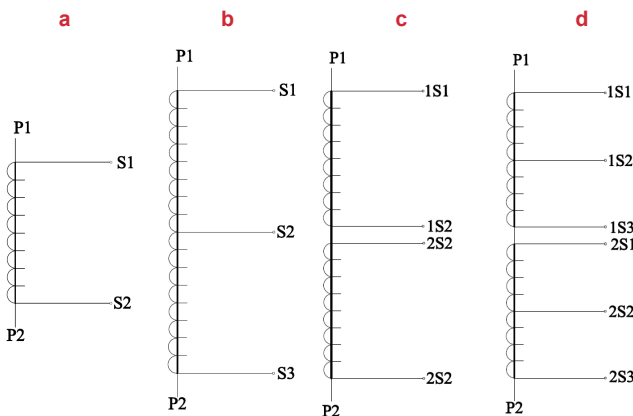
The transformer should be fixed to a surface in order to avoid leaping up in the case of high inrush currents.

### Warranty Terms and Conditions

Elektrolojik Energy Tech. Ltd. Co. warrants a trouble free operation of the device within 24 months from the date of sale, on condition that following terms are provided:

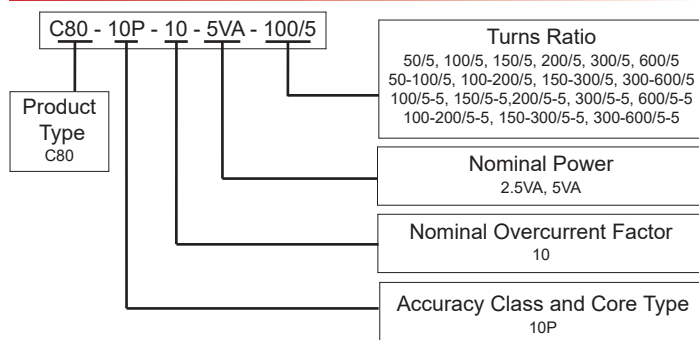
- the proper connection and operation
- the safety of the quality control seal
- the integrity of case, no trace of opening, cracks, spalls etc.

The warranty shall not apply to malfunctions or damages resulting from accidents or user supplied faults.



a. Single Secondary Winding    b. Compound Wounded Single Secondary  
c. Double Secondary Winding    d. Compound Wounded Double Secondary

### Ordering Information



**Elektrolojik Energy Technologies Engineering, Industry and Trading Ltd. Co.**  
Gersan Sanayi Industrial Zone, 2308 Street. No: 29 06370 Batikent/Yenimahalle/ANKARA  
Tel: +9 (0) 312 278 38 76 - Fax: +9 (0) 312 278 24 13  
E-mail: info@elektrolojik.com.tr - Web: www.elektrolojik.com.tr